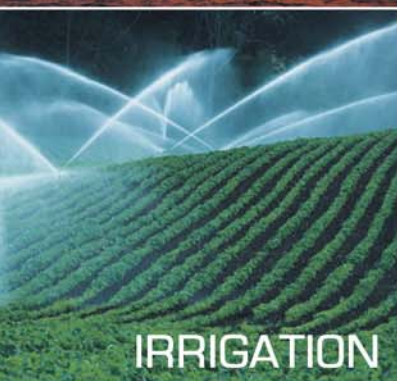
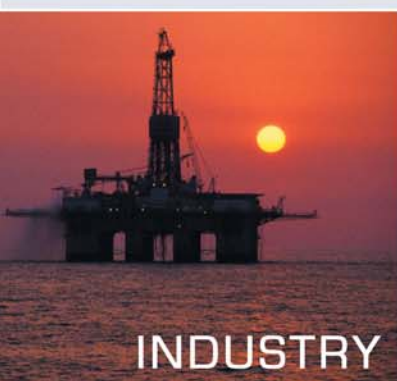


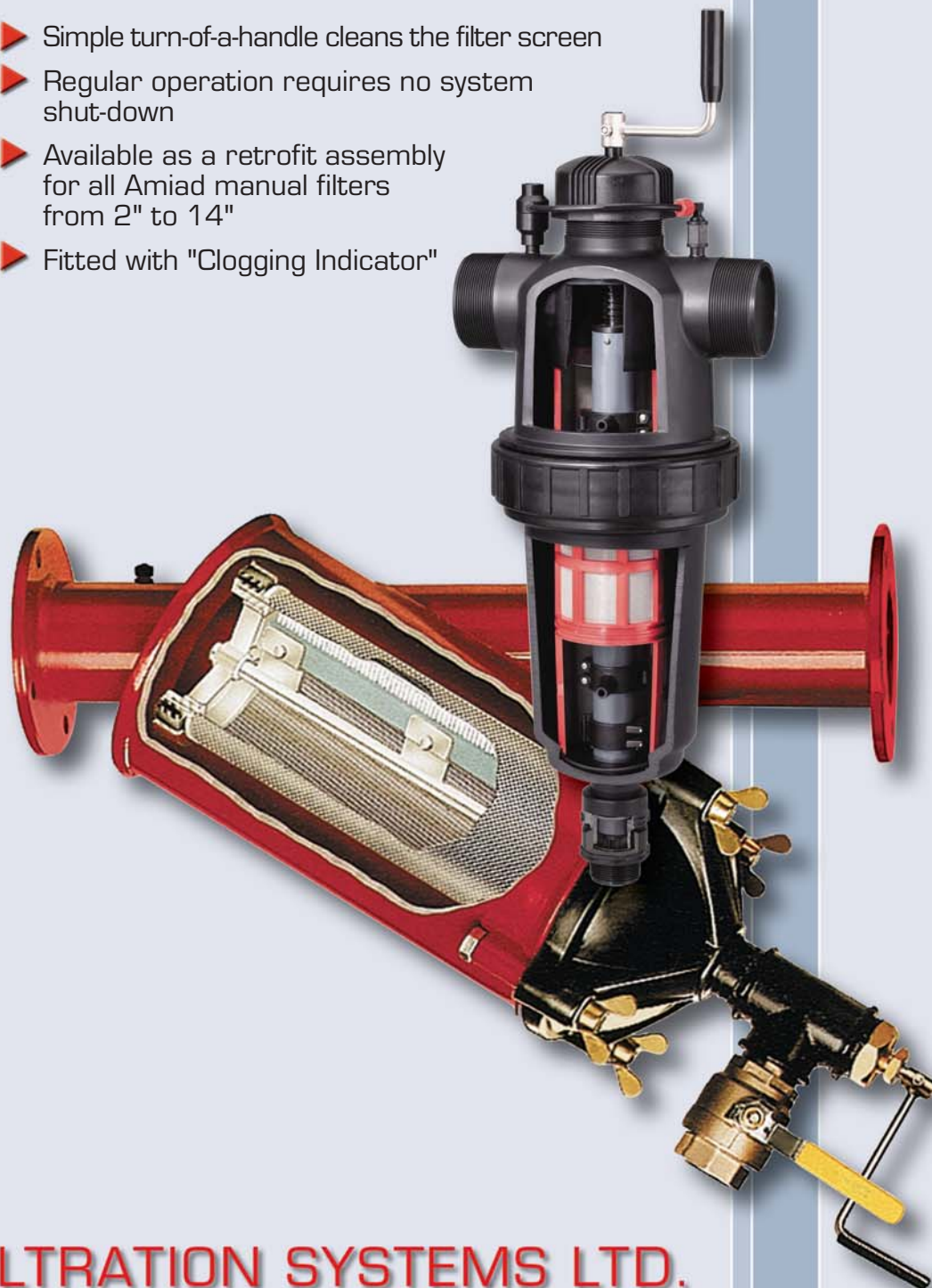
SEMI-AUTOMATIC FILTERS



Quick and efficient way for cleaning manual filters



- ▶ Simple turn-of-a-handle cleans the filter screen
- ▶ Regular operation requires no system shut-down
- ▶ Available as a retrofit assembly for all Amiad manual filters from 2" to 14"
- ▶ Fitted with "Clogging Indicator"



AMIAD FILTRATION SYSTEMS LTD.

SEMI-AUTOMATIC FILTERS

How do the "SCANAWAY" filters work?

The SCANAWAY assembly consists of a hollow pipe with suction nozzles that are facing the inner side of the screen.

A handle connected to the suction scanner from the outside, allows turning the scanner in a spiral movement so that it rotates inside the screen surface without touching the screen.

Opening the exhaust valve at the filter lid will create low pressure conditions, which cause the scanner nozzles to suck-in the dirt from the screen surface and expel the dislodged particles out through the valve.

Scanning is done during the filtering process without having to stop the water supply.



How do the "BRUSHAWAY" filters work?

The BRUSHAWAY assembly consists of nylon brushes fitted on a frame and inserted into the filter screen.

A simple handle, outside the filter, allows to brush away particles from the screen surface, and to expel them out from the filter.

Brushing is done during the filtering process without having to stop the water supply.

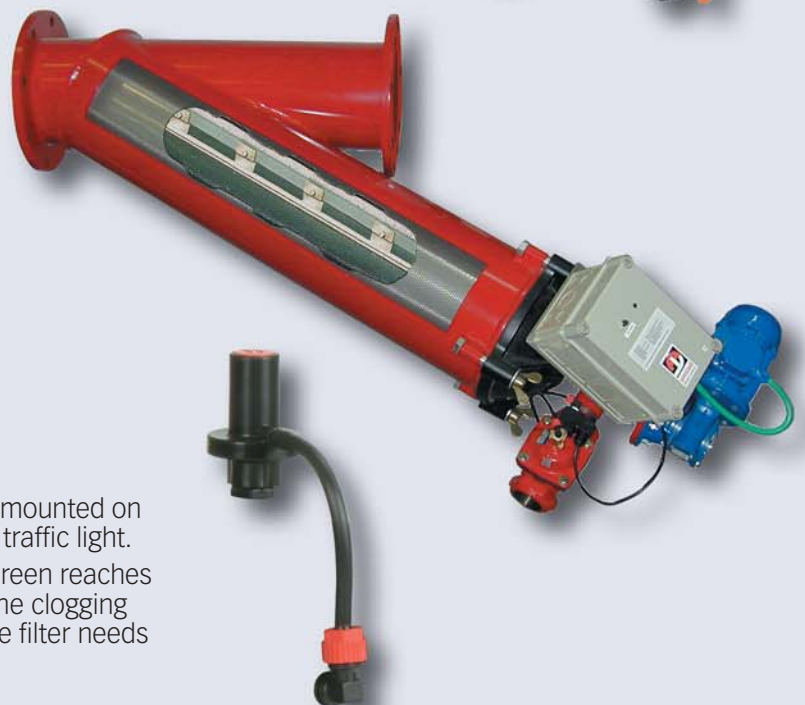


The "MBA"

Motorized Brushaway Assembly Kit - The "MBA" is an assembly kit that converts the semi-automatic "BRUSHAWAY" filter to an automatically cleaned unit.

The kit includes an exhaust valve, motor and a controller that causes the filter to clean itself according to time.

The kit is available in 3 phase, 1 phase or 12V DC, and available for "BRUSHAWAY" filters from 4"-Super to 14".



The "CLOGGING INDICATOR"

The "Clogging Indicator" is a special feature mounted on the filter pressure check point and acts as a traffic light.

When the pressure differential across the screen reaches a pre-set value of 0.5 bar the red button in the clogging indicator pops-up to visually indicate that the filter needs cleaning.

TECHNICAL SPECIFICATIONS

Plastic filters	2" T	2" T-Super	3" T
Max. flow rate [m ³ /h]	25	25	50
Filter area [cm ²]	465	700	700
Weight (Av.) [kg]	5.1	5.9	6.3

Steel filters	2" In-line	3" In-line	4" L	4" S	6" C	6" S	8"	10"	12"	14"
Max. flow rate [m ³ /h]	25	50	80	80	160	160	300	500	650	1000
Filter area [cm ²]	465	930	930	2740	2740	5720	5720	11440	17160	22880
Weight (Av.) [kg]	10	16	20	42.4	47.4	61	70	200	295	385

- Maximum working pressure: 10 bar
- With SCANAWAY - Minimum pressure for cleaning: 2 bar
- For additional technical information including pressure loss graphs and construction materials please see the AMIAD Plastic Filters brochure and Steel Filters brochure.

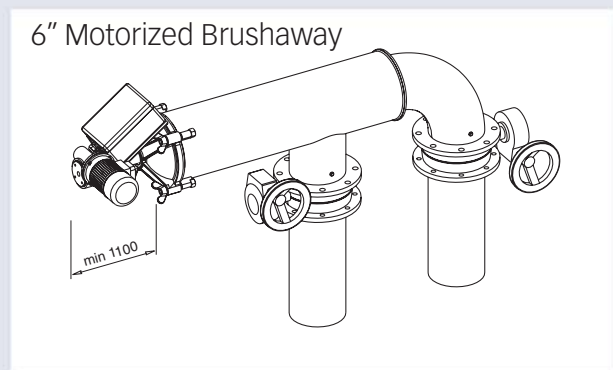
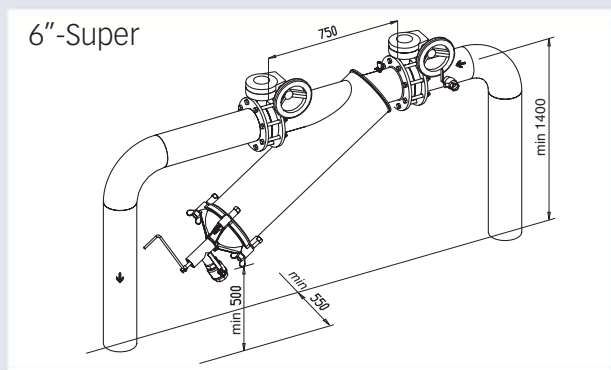
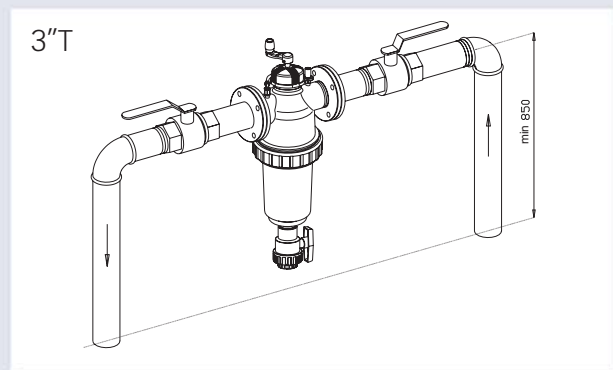
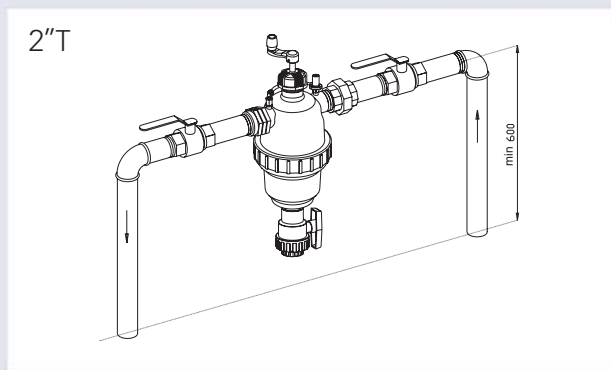
Filtration degrees available

BRUSHAWAY	Perforated stainless steel*			Molded stainless steel			
micron	3500	2500	1500	800	500	300	200
mm	3.5	2.5	1.5	0.8	0.5	0.3	0.2
mesh	4	6	10	20	30	50	75

SCANAWAY	Molded stainless steel						
micron	500	300	200	130	100	80	50
mm	0.5	0.3	0.2	0.13	0.1	0.08	0.05
mesh	30	50	75	120	155	200	300

* With 4"-Super – 14" Steel filters only

Suggested Installations





In an increasingly crowded world, the need for clean water concerns everyone involved in sustaining our quality of life. Society and economy cannot exist without water; Because water is life.

For more than 40 years, Amiad has helped meet this need by developing a comprehensive line of exceptionally efficient, automatic self-cleaning filters and manual filters for use in industry, municipalities, and irrigation. Amiad provides solutions in more than 66 countries, with seven subsidiaries and sales offices. Amiad's pledge to the filtration industry is to continue providing innovative and dependable systems, quality service and reliable customer support.

▶ **MANUFACTURER & HEAD OFFICE:**

Amiad Filtration Systems Ltd.

D. N. Galil Elyon 1, 12335, Israel, Tel: 972 4 690 9500, Fax: 972 4 690 9391, E-mail: info@amiad.com

▶ **AUSTRALIA:**

Amiad Australia Pty Ltd., 3/15 Brisbane St. Eltham, 3095, Victoria

Tel: 61 39 439 3533, Fax: 61 39 439 1612, E-mail: amiad@amiad.com.au

▶ **CHINA:**

Taixing Environtec Co. Ltd., 70 Baihe Chang, Xingjie Yixing Jiangsu, 214204

Tel: 86 0510 7134000, Fax: 86 0510 7134999, E-mail: taixing@public1.wx.js.cn

▶ **FAR-EAST:**

Filtration & Control Systems Pte. Ltd., 19B Teo Hong Road, 088330, SINGAPORE

Tel: 65 6 337 6698, Fax: 65 6 337 8180, E-mail: fcs1071@pacific.net.sg

▶ **FRANCE:**

Amiad France S.A.R.L., 31 Boulevard Lefebvre, Paris, 75015

Tel: 33 1 56085522, Fax: 33 1 45302596, E-mail: info@amiadfrance.com

▶ **GERMANY:**

Amiad Filtration Solutions Ltd., Zweigniederlassung Deutschland, Gerstackerstr. 9, D-20459 Hamburg

Tel: 49 40 3609 6770, Fax: 49 40 3609 6765, E-mail: info@amiad.de

▶ **NORTH AMERICA:**

Amiad Filtration Systems, 2220 Celsius Avenue Unit B., Oxnard, 93030, California, USA

Tel: 1 805 988 3323, Fax: 1 805 988 3313, E-mail: info@amiadusa.com

▶ **SOUTH AMERICA:**

Sucursal Sudamerica, Agustn de Urtubey 1379, Montevideo, 11300, URUGUAY

Tel: 598 2 628 0927, Fax: 598 2 622 6991, E-mail: amisur@adinet.com.uy

www.amiad.com

AMIAD products undergo constant monitoring for quality control. The manufacturer reserves the right to incorporate changes and improvements in the products without prior notice.

AMIAD FILTRATION SYSTEMS LTD.

