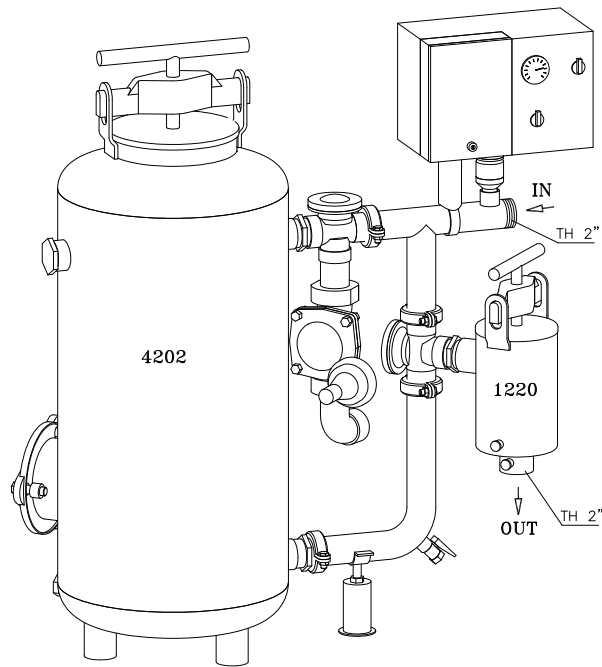
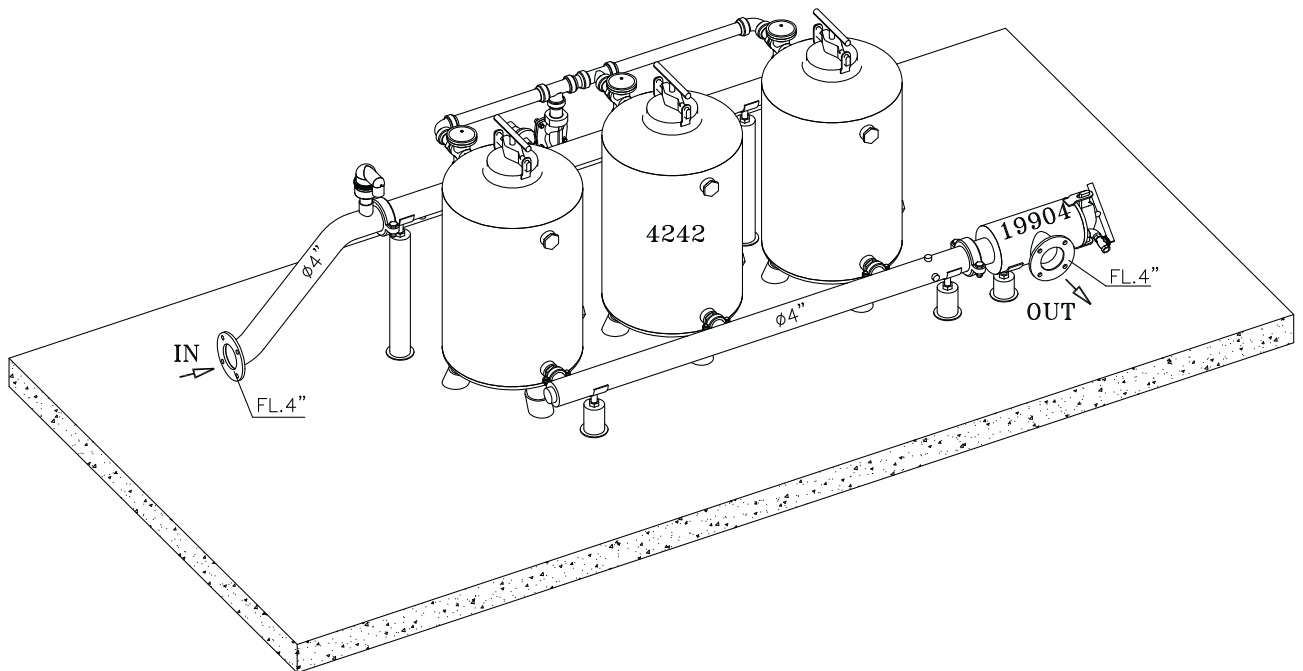


Stationary Arrays

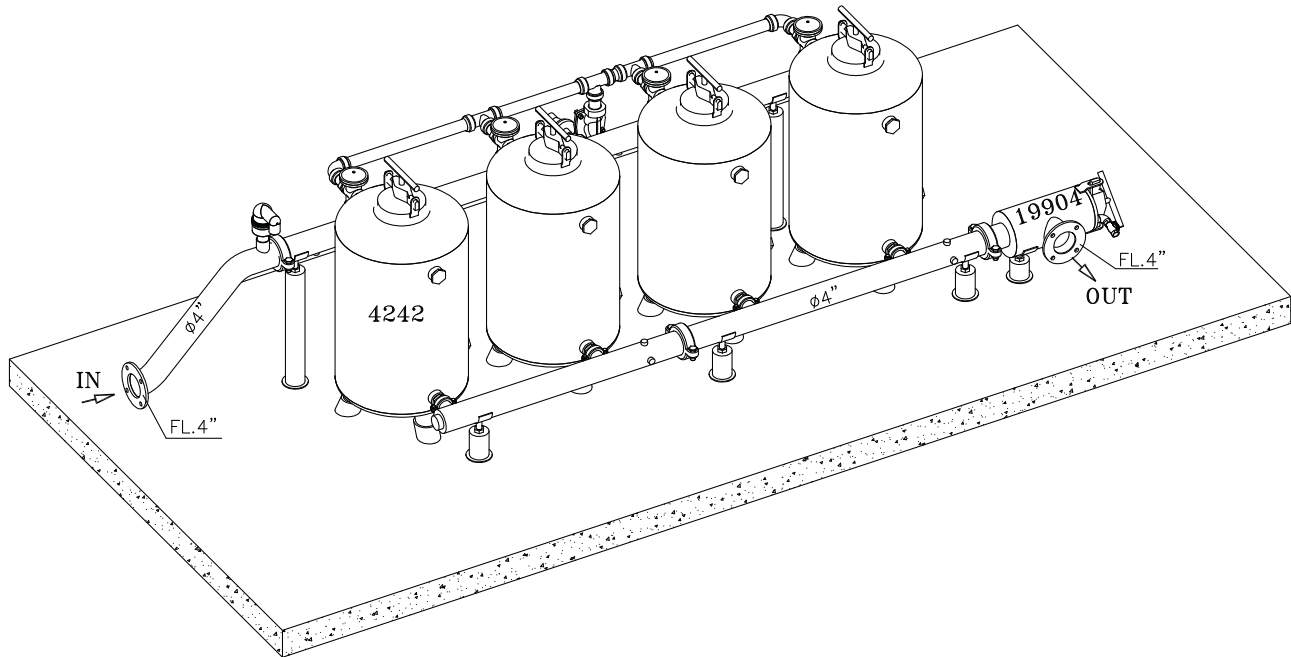


Mini Station 01-4202-1220 15 m³/h

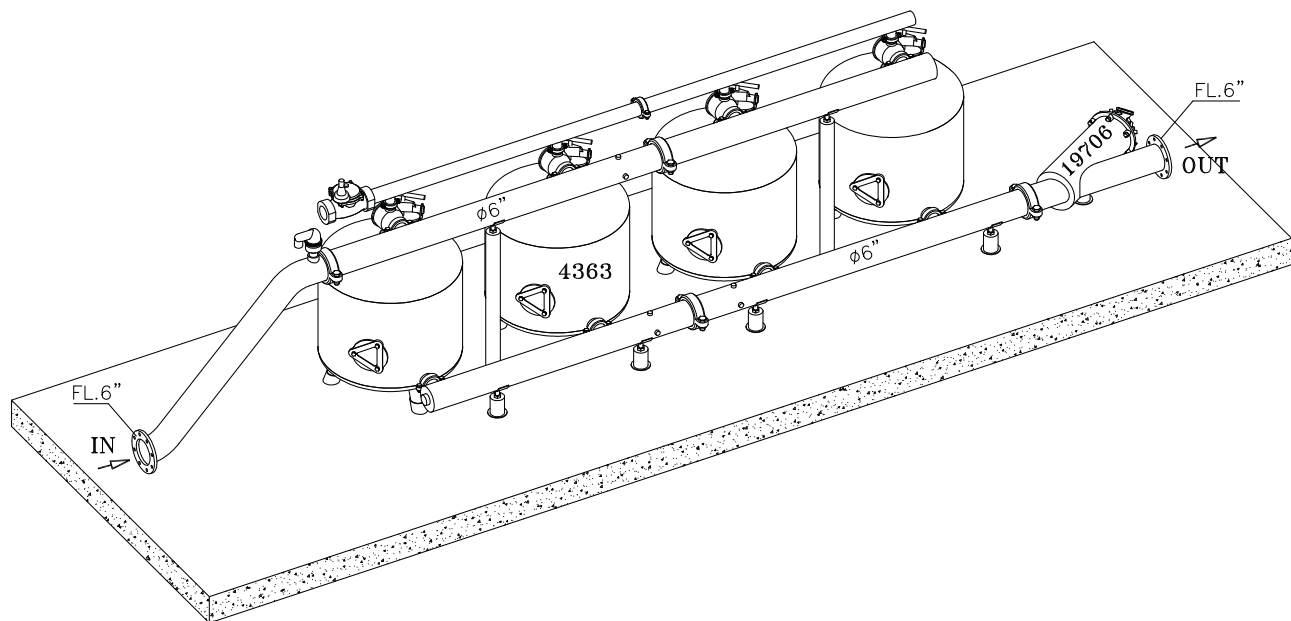


Model 03-4242-01-19904-L 60 m³/h

Stationary Arrays

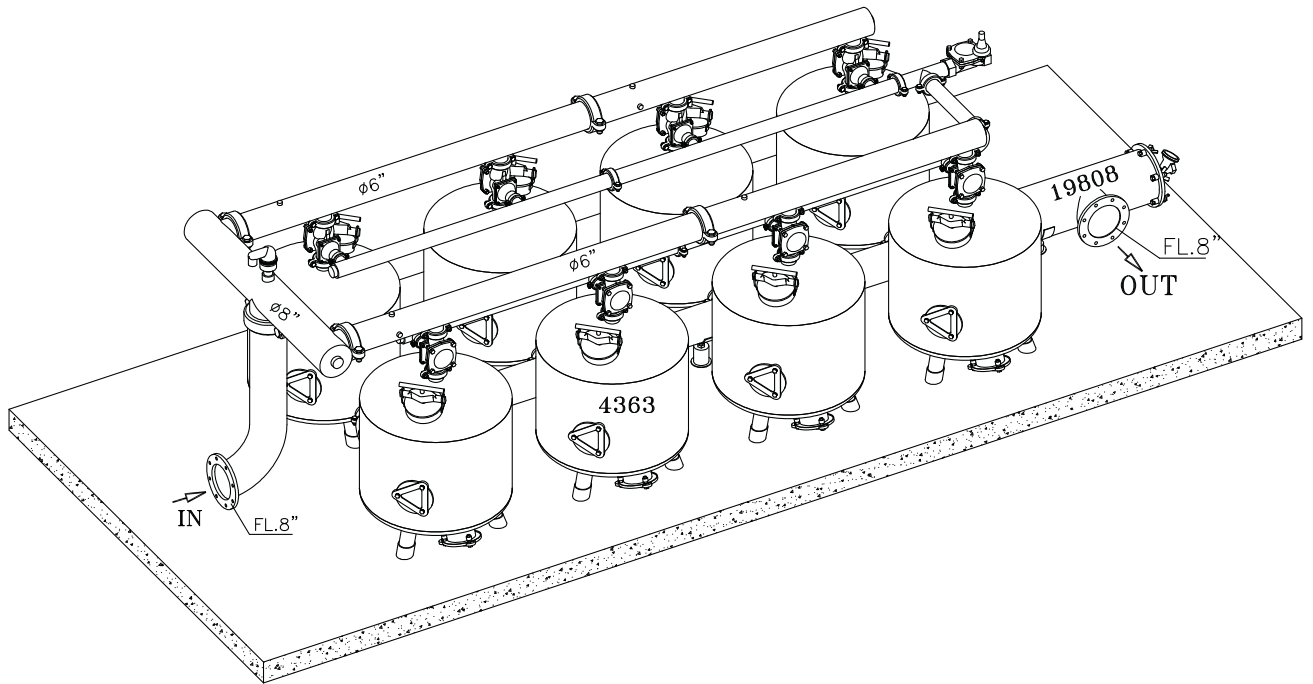


Model 04-4242-01-19904-L 80 m³/h

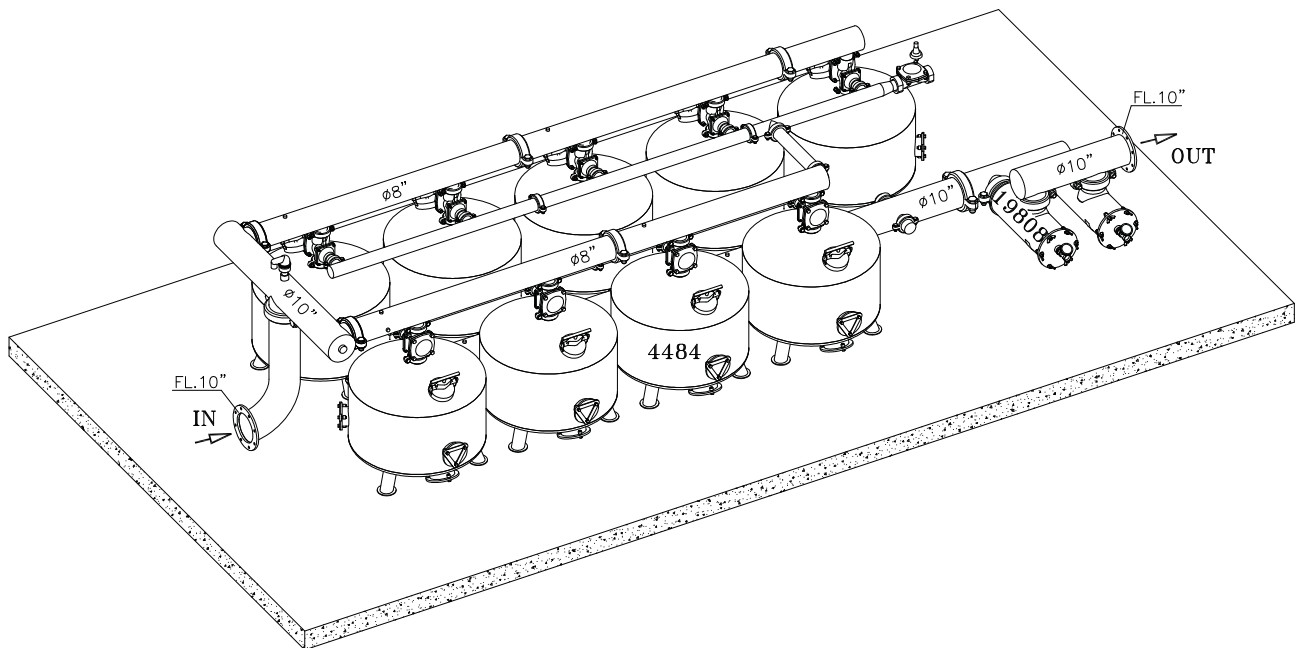


Model 04-4363-01-19706-L 160 m³/h

Stationary Arrays

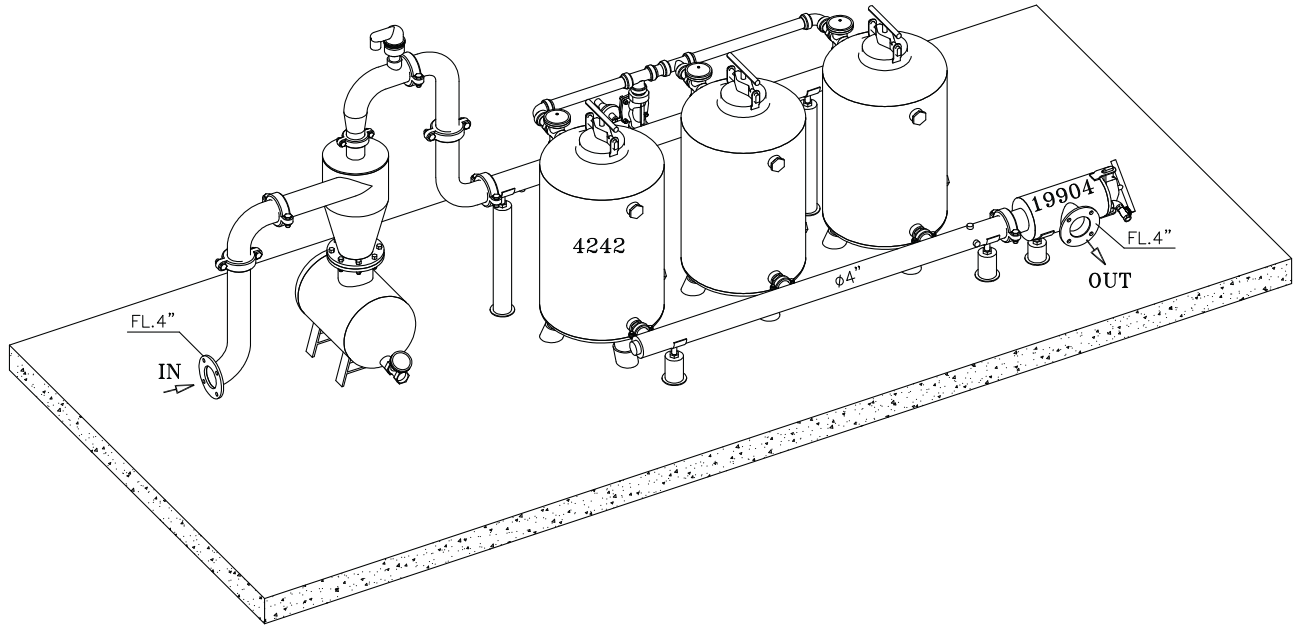


Model 08-4363-01-19808-W 320 m³/h

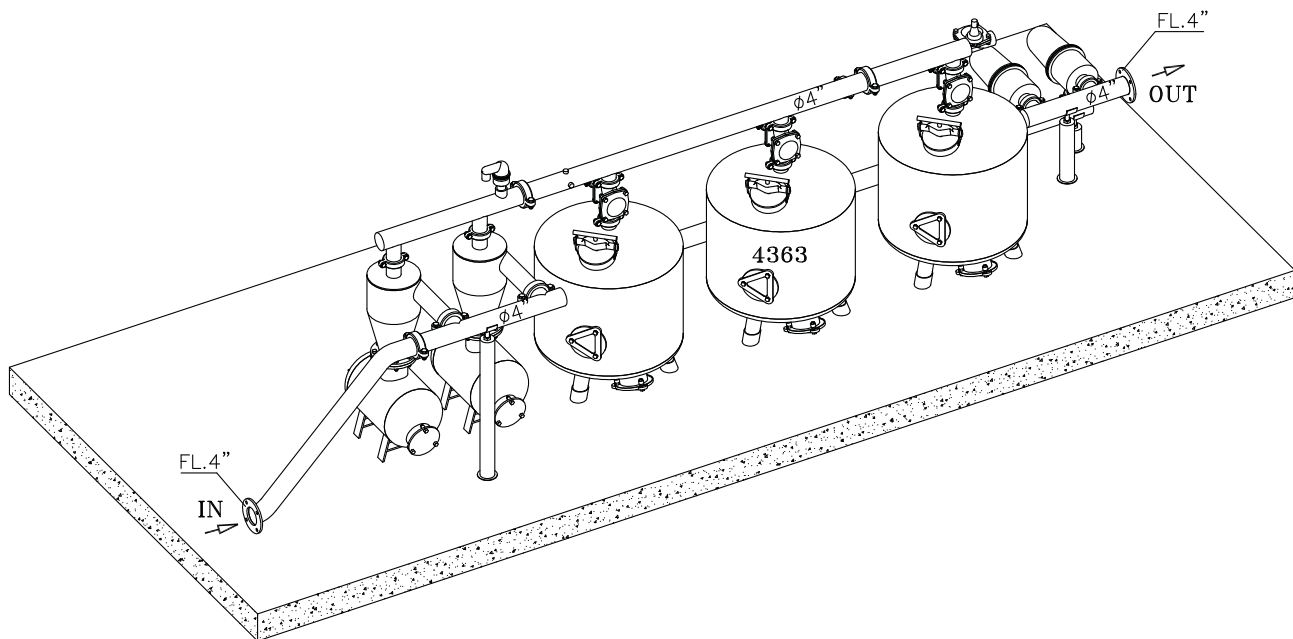


Model 09-4484-02-19808-W 630 m³/h

Stationary Arrays

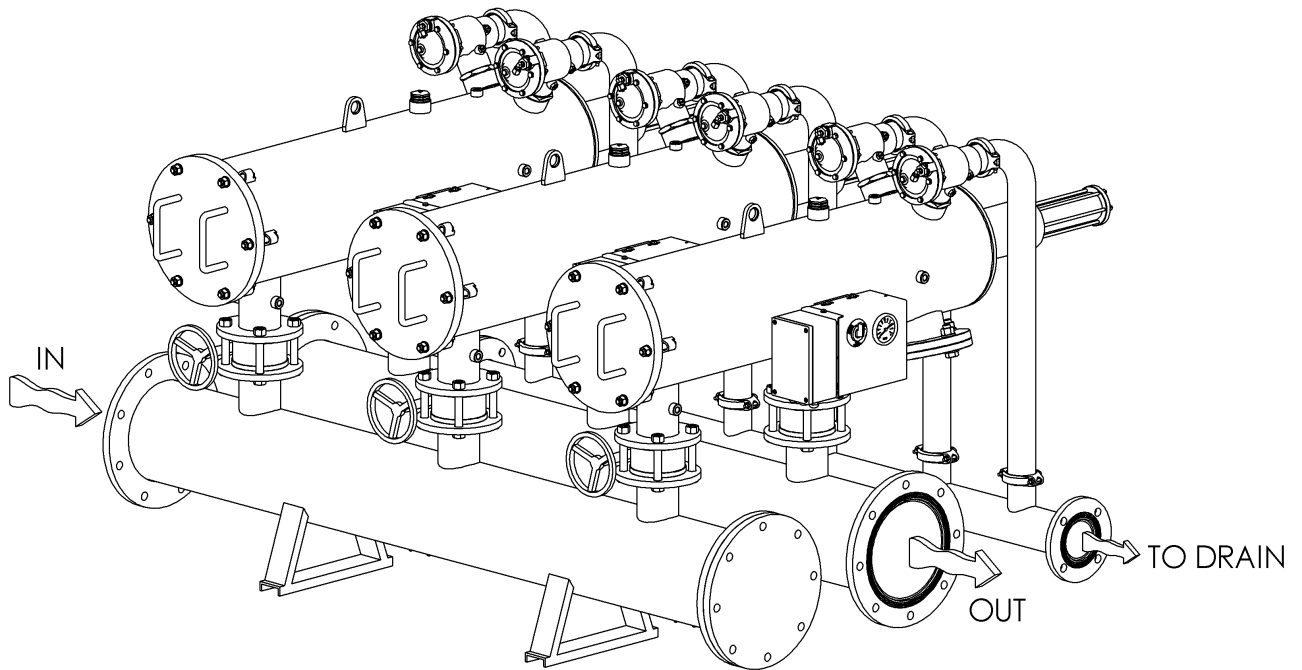


Model 01-51243-03-4242-01-19904-L 50 m³/h

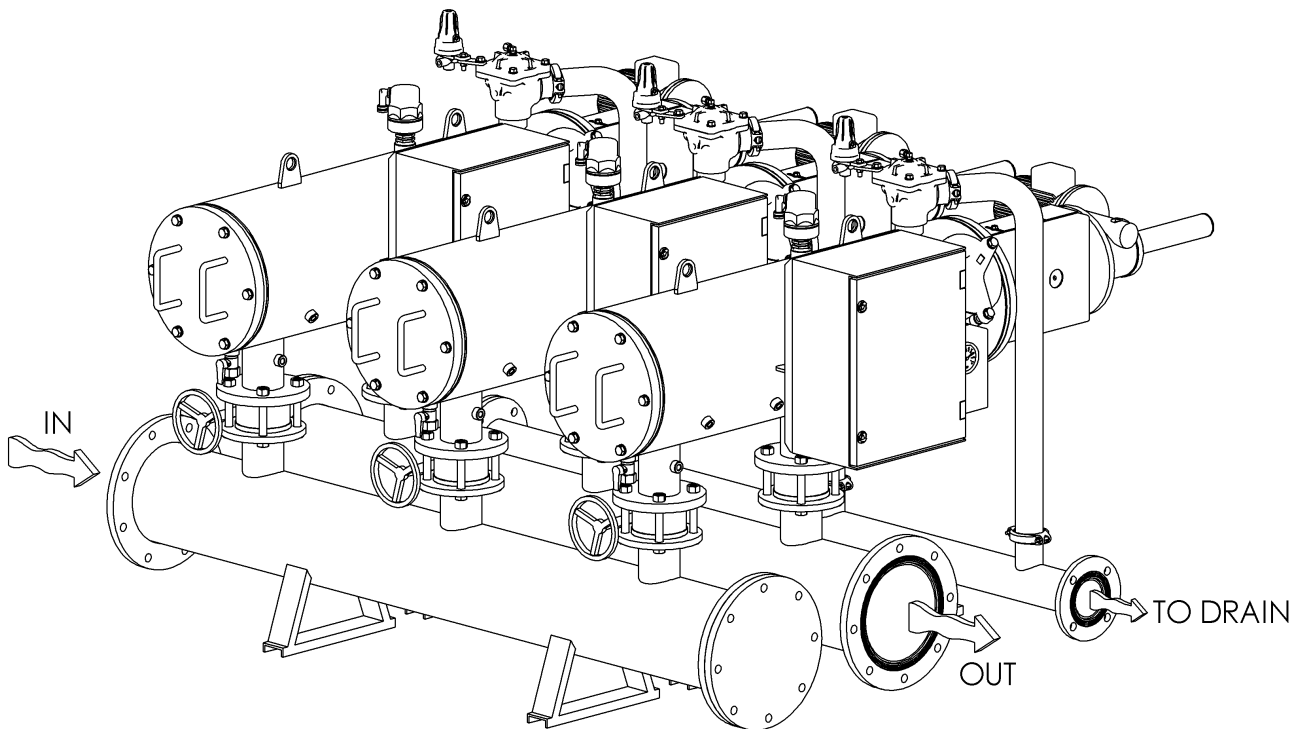


Model 02-51243-03-4363-02-1730-L 100 m³/h

Stationary Arrays



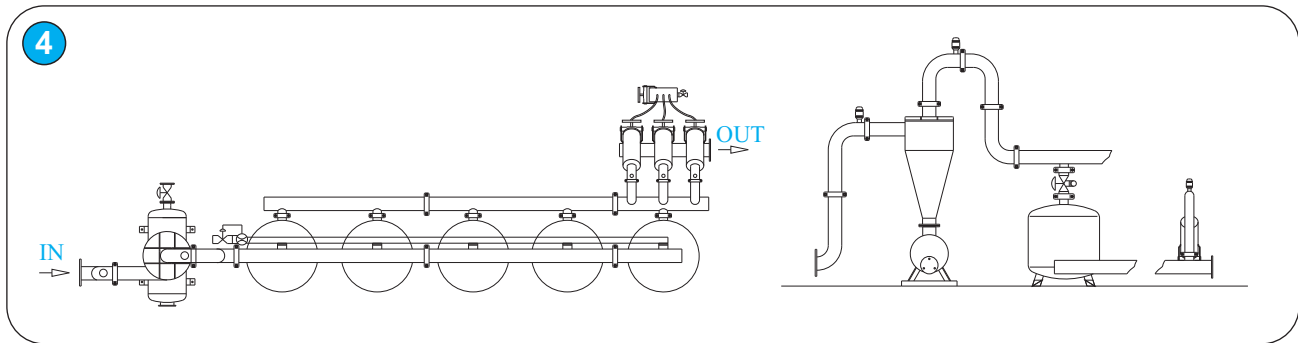
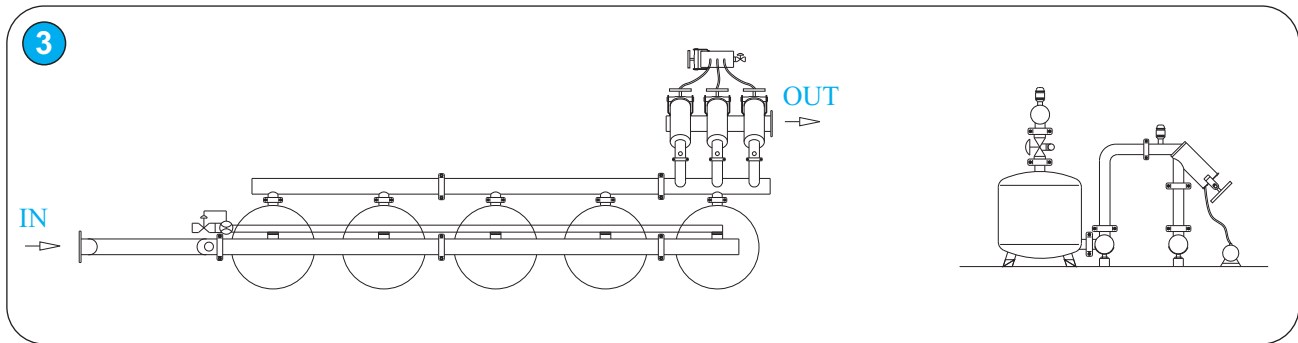
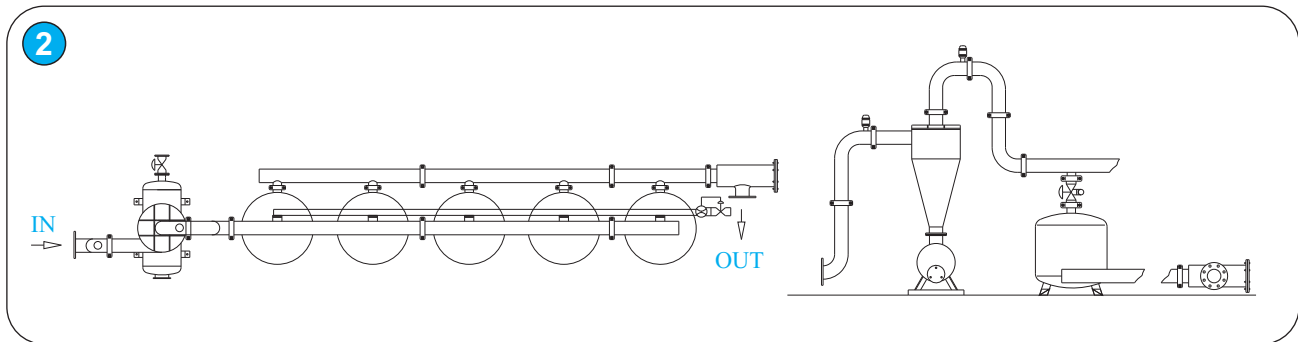
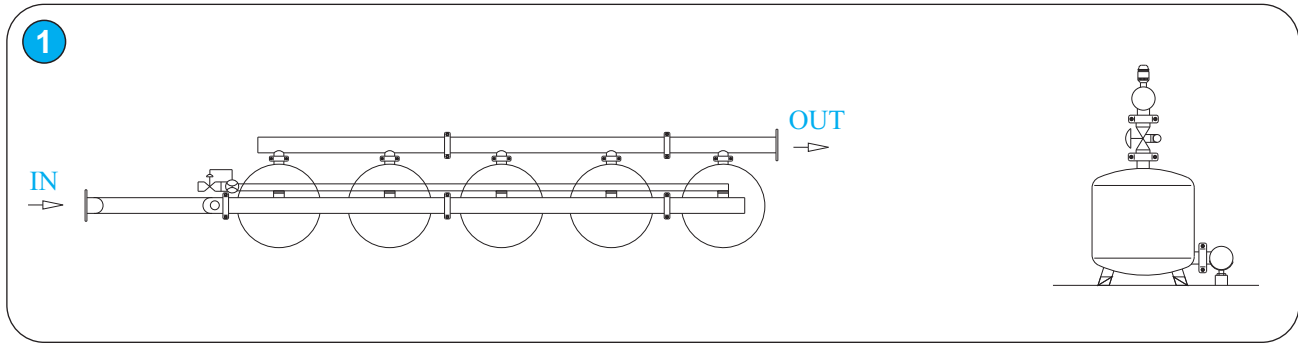
Model 03-85003F-L 120 m³/h



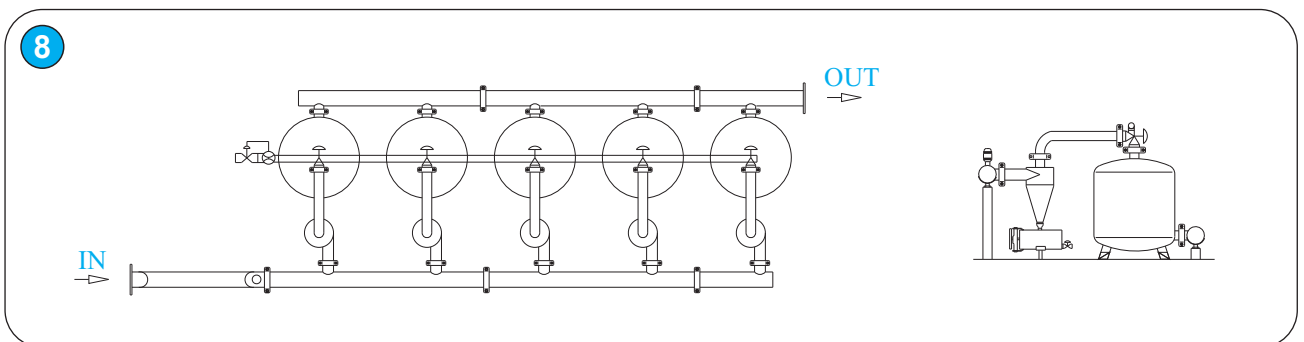
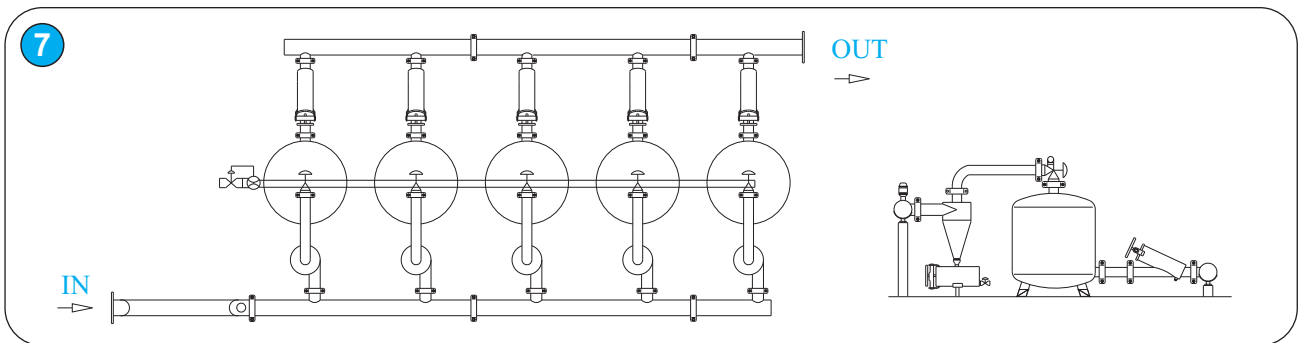
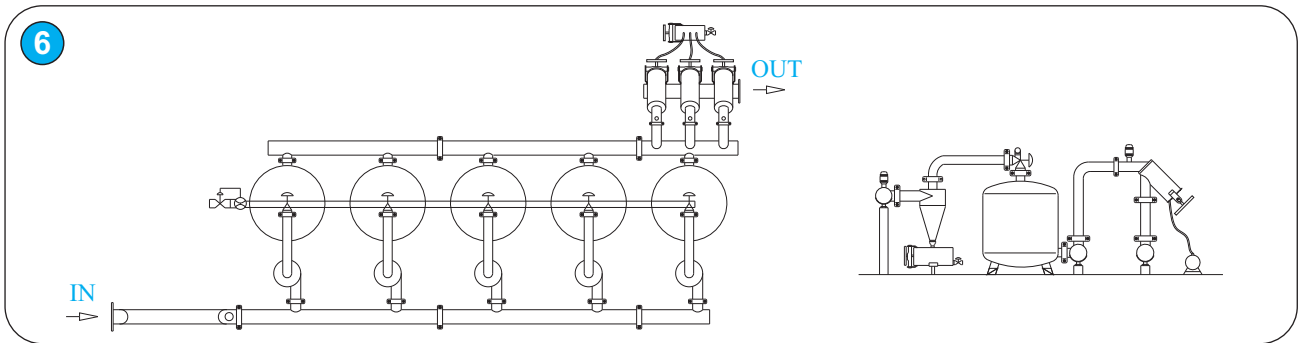
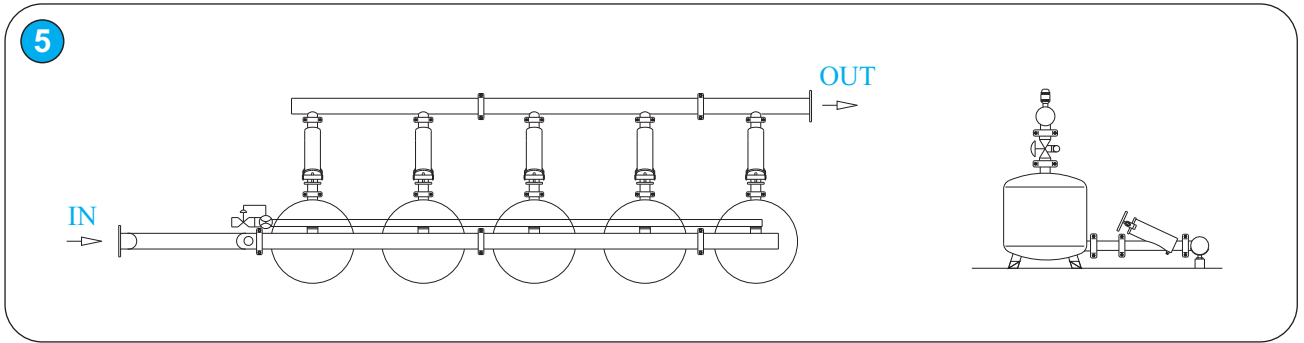
Model 03-86303F-L 120 m³/h

Typical Filtration Solutions for 200 m³/h (900 U.S. gpm)

1. 05-4363-L
2. 01-52460-05-4363-01-1906-L
3. 05-4363-03-8040-L
4. 01-52460-05-4363-03-8040-L

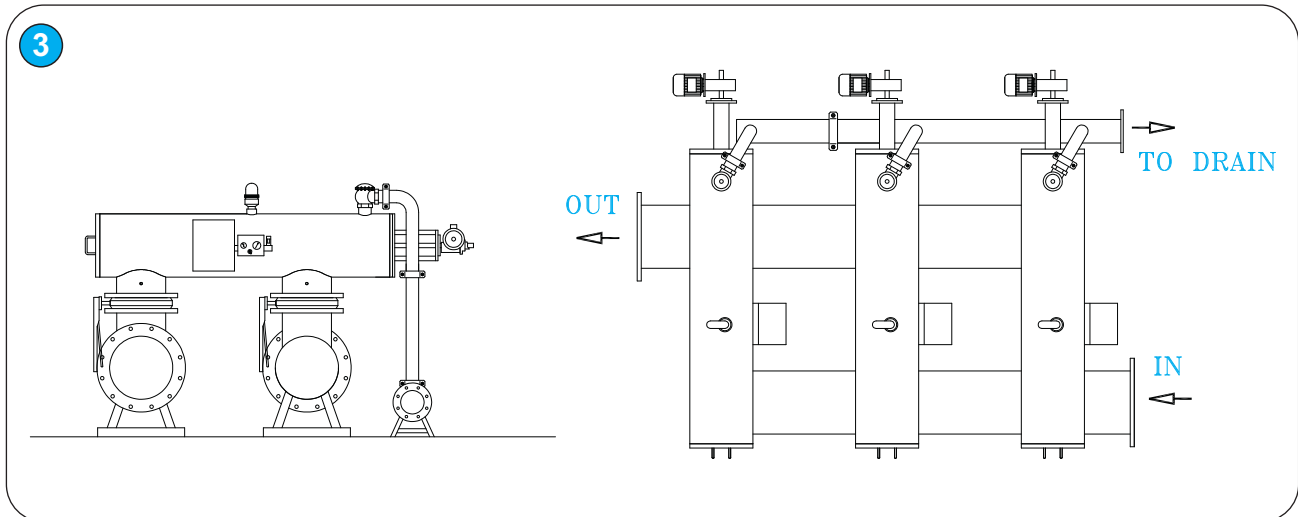
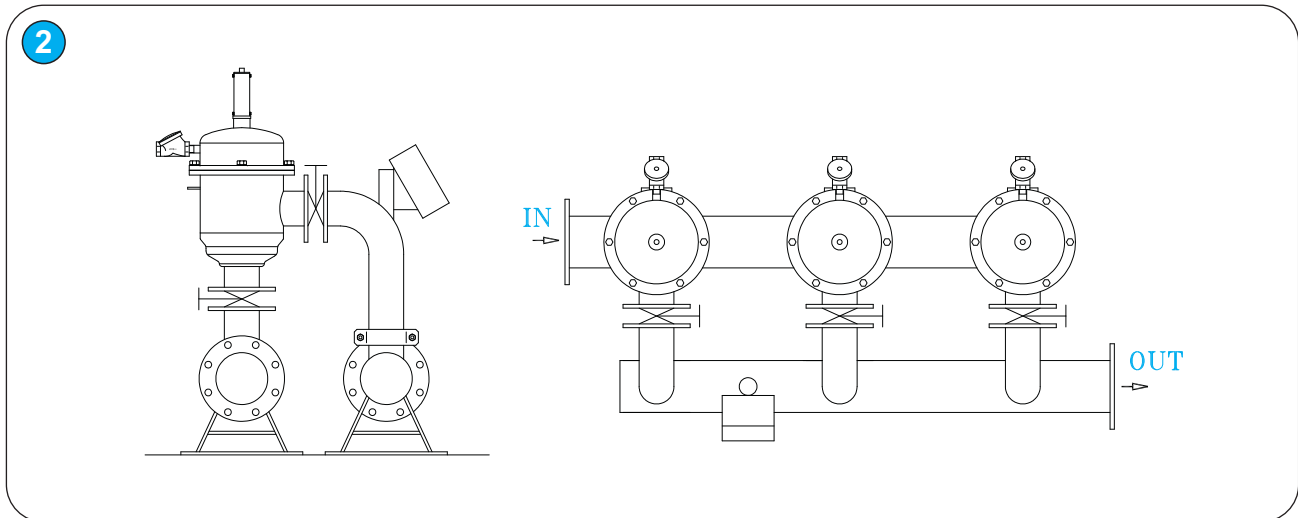
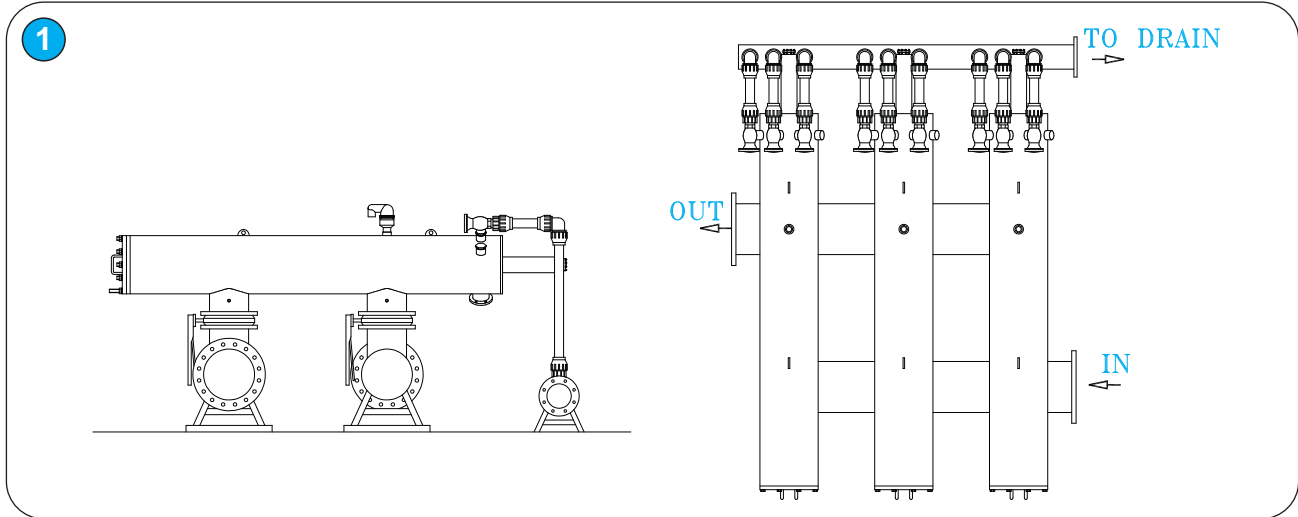


- 5. 05-4363-7030-L
- 6. 05-51243-4363-03-8040-L
- 7. 05-51243-4363-L
- 8. 05-51243-4363-7030-L



OdisMatic® Arrays

- 1. 03-850
- 2. 03-851
- 3. 03-863



MOBILE ARRAYS

ODIS offer a large variety of mobile arrays (filtering stations); based on standard ODIS products connected with ODIS manifolds.

ODIS mobile array is a complete filtering system. It includes filters, manifolds, valves, couplings, PE pipes and accessories, supporting legs and controller to allow fully automatic operation.

The system can also include a fertilizing system and pumps for pumping water from all kind of water sources, and transferring it after treatment to the irrigation system.

The integration of ODIS standard products enhances flexibility and facilitates any future enlargement or change of the arrays.

Modular arrays which combine standard ODIS products provide an optimal solution for any irrigation application in a wide range of flow rates.

These mobile arrays require minimal on-site assembly and installation work.

ODIS supplies of the shelf "standard", mobile arrays or tailor made arrays specially designed and build to suit specific customers needs.

Several types of mobile arrays are:

- Modular array in an ISO container.
- Gravel filters arrays.
- Hydrocyclone arrays.

Modular Arrays in an ISO Container

Complete modular array built and delivered in an ISO container.

These arrays are convenient for transportation and require minimal on site assembly and installation work.



Media Filters Mobile Arrays

Designed specially as complete water filtering stations for low flow rates and mobility.

The arrays are modular, interchangeable and based on standard ODIS products. Each product is designed and manufactured to achieve the highest standard of quality and finish. The arrays combine high quality filtration, reliability, simple operation and mobility.

As a result the price per m³/h of filtered water is the lowest.

The arrays have a standard inlet and outlet and can be easily and quickly connected to the water source.

The arrays are most effective for filtration of water heavily contaminated with algae, organic matter and suspended solids (reservoirs, waste water, rivers, etc.)

The arrays have a 120 micron protective coating of extra durable polyester, applied electrostatically and oven cured on a zinc-phosphate layer for maximal anti-corrosion protection.



Available "Standard" Models*

Model	Inlet / Outlet Diameter	No. of Media Filters Model 4242	Max. Flow Rate		Flushing Flow Rate	
	inch		m ³ /h	U.S. gpm	m ³ /h	U.S. gpm
MA 24"-20	2"	1	20	90	23-26	100-115
MA 24"-40	3"	2	40	180	23-26	100-115
MA 24"-60	4"	3	60	260	23-26	100-115

Model	Inlet / Outlet Diameter	Filter Diameter	Max. Flow Rate		Flushing Flow Rate	
	inch	inch	m ³ /h	U.S. gpm	m ³ /h	U.S. gpm
01-41615-01-1115	1½"	16"	10	44	10	44
01-4202-01-1220	2"	20"	15	66	15	46
01-4242-01-1220	2"	24"	20	88	25	110

* Other models can be designed to customer's needs.

Backflushing flow rates: 23 – 26 m³/h (100-115 U.S. gpm) for each filter.

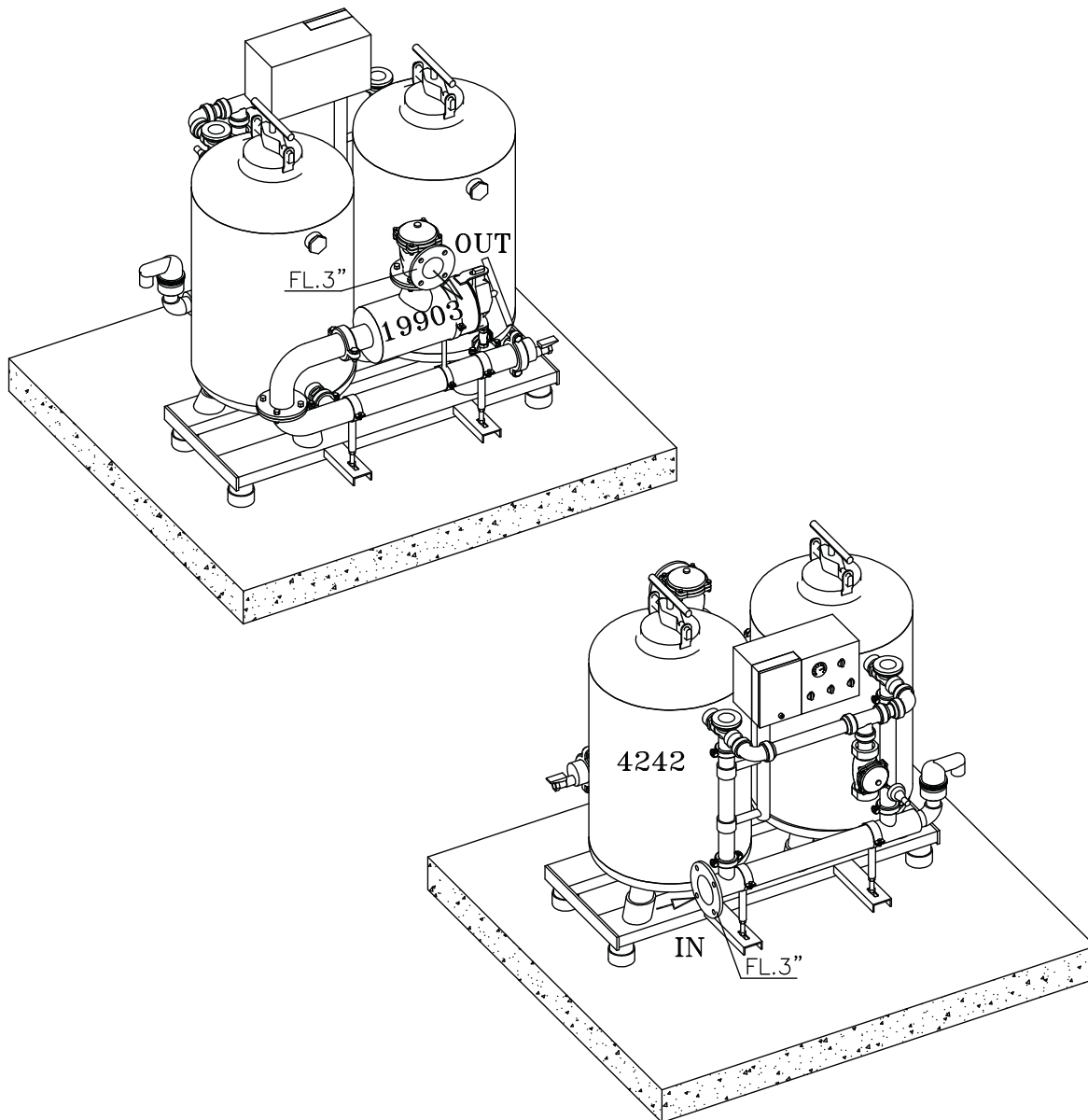
The arrays are installed on a steel pallet or on a trailer platform and include the following:

- Media filters filled with gravel.
- A screen filter as control filter.
- Operation and flushing valves.
- Controller for automatic backflushing, including a differential pressure switch (D.P.) with a time basis back-up.
- Manual operation panel for independent operation.
- The array is firmly installed on a steel pallet.

The mobile array can be transferred from one field to another.

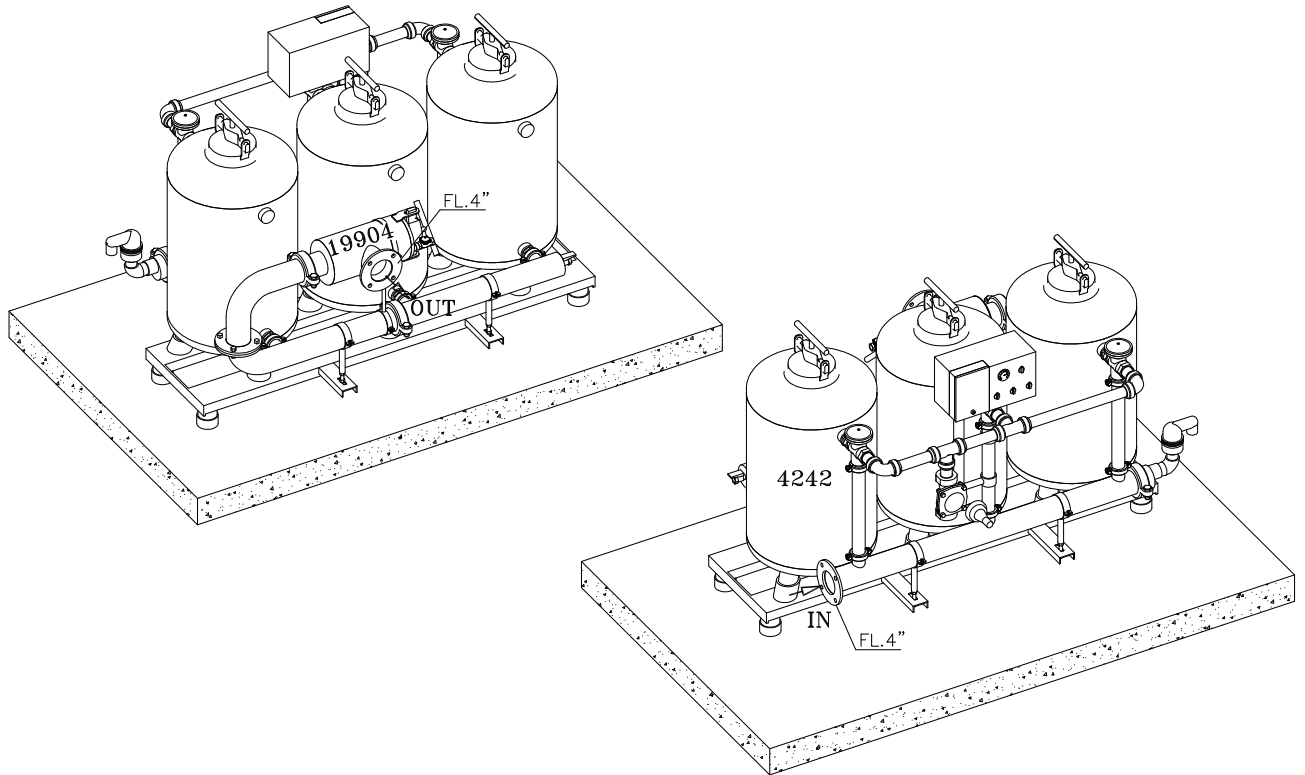


Mobile Arrays on a Pallet

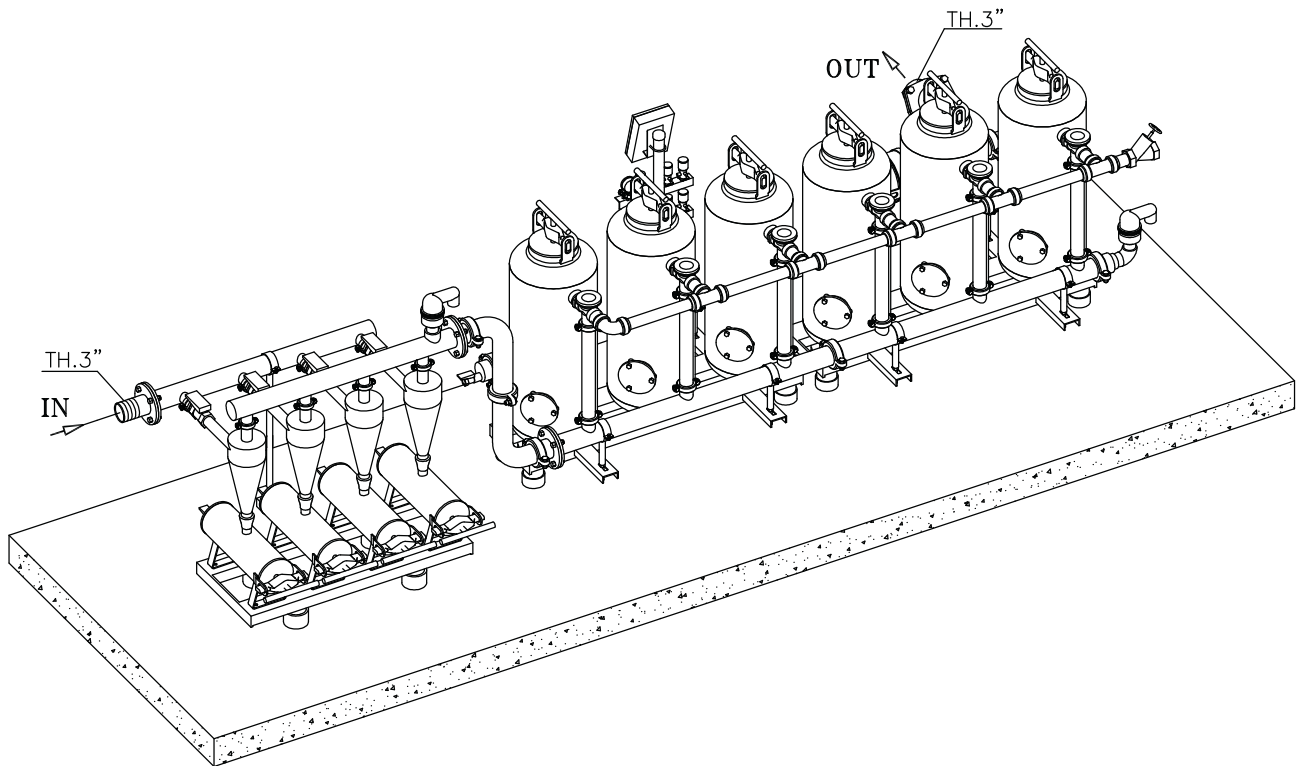


Model 02-4242-01-19903-P 40 m³/h

Mobile Arrays on a Pallet



Model 03-4242-01-19904-P 60 m³/h



Model 04-50615-06-4162-01-19903P 10-45 m³/h

Mobile Array for Wells and Boreholes

These mobile arrays specially designed for wells are constructed from standard ODIS products, Hydrocyclones series 5000 and Automatic circulating filters series 8000. The array can handle efficiently higher loads of sand and suspended solids that occurs during priming of the pump and filling of the pipes. It also can handle soft start of the pump.

The system is skid mounted on a steel pallet, and can be easily transferred from one location to another.

During the filling of the pipes, the pump flow rate is considerably higher than the design flow rate. As a result the sand quantities increases and the underflow chamber might overflow.

The system automation is designed to handle this situation. A differential pressure gauge is installed in the system. When the flow rate increases, the pressure difference exceeds the preset value and the controller will open the drain valves on the underflow chamber of the

Hydrocyclone and the collecting cell of the Automatic screen filter. As a result the dirt load will be reduced. This operation will repeat itself until the flow rate will stabilize at the design flow rate.

ADVANTAGES:

- Efficient separation of sand and suspended solids at constant head loss due to the
- Hydrocyclone characteristics. In addition the circulation filter maintains efficient filtration especially during priming and soft start.
- Independent, simple, easy to install, operate and maintain.
- Time based flushing controller for draining of the Hydrocyclone underflow chamber and the collecting chamber of the automatic circulating filter.
- Protects valves, pipes and emitters against blockages and damage.
- Prevents high load from the Control filters.
- Saving on pipes and accessories since the array is located at the well.
- Various sizes of hydrocyclons and automatic filters are combined to suit customers needs.

Model	Diameter (inch)		Average Flowrate (m ³ /h)	Array
	Inlet	Outlet		
MA58-010020	2"	2"	10-20	01-50820-8020
MA58-025035	3"	3"	25-35	01-50830-8030
MA58-035050	4"	3"	35-50	01-51243-8030
MA58-050080	4"	4"	50-80	01-51640-8040
MA58-100160	6"	6"	100-160	01-52060-8060
MA58-160250	6"	8"	160-250	01-52460-8080

